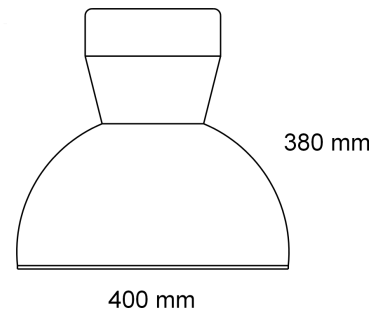


XT.2 LED



POWER SUPPLY
220/240V-50/60Hz

Suspension lamp for industrial application. Lamp body in gray die-cast aluminium. Reflector in sandblasted and anodized aluminium. LED optics and driver included

Suspension lamp for industrial application. Lamp body in gray die-cast aluminium. Reflector in sandblasted and anodized aluminium. LED optics and driver included

CODE	LUMEN NOM			
	LED	LAMP	W	4000°K
RDS-GKH-100W ₂	1	Philips 2835	100	12000
RDS-GKH-150W ₂	1	Philips 2835	150	18000

• LED COLOR CODE
4000°K- 85