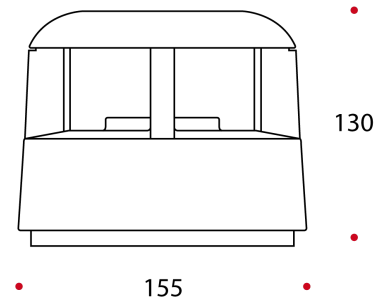


BIO INOX



Outdoor floor and wall light. Base and body in die-cast stainless steel AISI 316+304. Special polished hand made for a better resistance to atmospheric agents. Double cable glands for multiple installation. Stainless steel AISI 304 screws. Resistant to breakages and vandalproof.

Outdoor floor and wall light. Base and body in die-cast stainless steel AISI 316+304. Special polished hand made for a better resistance to atmospheric agents. Double cable glands for multiple installation. Stainless steel AISI 304 screws. Resistant to breakages and vandalproof.



5 KG



CODE	LUMEN NOM						
	LED	LAMP	W	3000°K	4000°K	HOLE DIMENSIONI	DIMENSIONS A-B mm
92012AC16 [▲]	IOB	1	12	1300	1400	155X130	155X130

• LED COLOR CODE

3000°K- 85
4000°K- 85

▲ REFLECTOR CODE

M - MONOEMISSION
B - BIEMISSION
N - MULTIEMISSION

BIO INOX



Bio is an outdoor spotlight BOLLARD type for floor and wall. The small size allows to place it in driveways, gardens etc.. Thanks to the particular shape of the device and the lens placed in its interior, emits light beams with radial suggestive effects in unidirectional, bidirectional and multidirectional. Produced in die cast stainless steel AISI 316.

Bio is an outdoor spotlight BOLLARD type for floor and wall. The small size allows to place it in driveways, gardens etc.. Thanks to the particular shape of the device and the lens placed in its interior, emits light beams with radial suggestive effects in unidirectional, bidirectional and multidirectional. Produced in die cast stainless steel AISI 316.