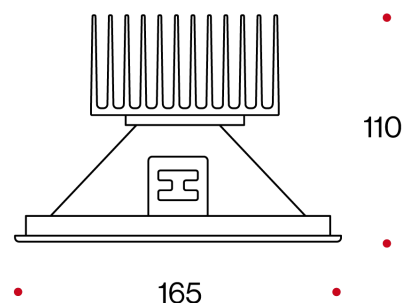


# TWISTER 165



Professional recessed downlight with painted die-cast aluminium frame ring.  
Aluminium reflector with 99,9% pure aluminium bright finish. Anodized or black painted aluminium heat sink.  
The COB LED version is proposed with CRI 85 color rendering even in dimmable version and supplied complete with separate power supply. On request you can have CRI 97 color rendering and LED colors for special applications.  
In addition, the downlight is available with the innovative Integrated LED IOB.

Professional recessed downlight with painted die-cast aluminium frame ring.  
Aluminium reflector with 99,9% pure aluminium bright finish. Anodized or black painted aluminium heat sink.  
The COB LED version is proposed with CRI 85 color rendering even in dimmable version and supplied complete with separate power supply. On request you can have CRI 97 color rendering and LED colors for special applications.  
In addition, the downlight is available with the innovative Integrated LED IOB.



550 GR



POWER SUPPLY  
220/240V-50/60Hz

## ACCESSORI / ACCESSORIES



### TW 165 PC IP

IP54 grade opal polycarbonate screen  
IP54 grade opal polycarbonate screen

CODE	LUMEN NOM				HOLE DIMENSIONI	HOLE DIAM.	DIMENSIONS A-B mm
	LED	W	3000°K	4000°K			
6015AC	IOB 40°	15	1650	1800	110X165	148	110X165
6020AC	IOB 40°	20	2200	2400	110X165	148	110X165
6030AC	IOB 40°	30	3300	3600	110X165	148	110X165
6012	COB 45°	12	2000	2080			
6018	COB 40°	18	2800	2920	110X165	148	110X165
6025	COB 40°	25	3770	3900	110X165	148	110X165
6040	COB 40°	40	5420	5600	110X165	148	110X165

## COLOR CODE

- 1 - chromed
- 5 - alumat
- 10 - frosted alu
- 32 -
- 33 - frosted black

## LED COLOR CODE

- 3000°K**- 85
- 3500°K**- 85
- 4000°K**- 85

# TWISTER 165



Twister is an innovative lighting system made of an aluminium recessed support frame composed by a parabolic reflector, an heat sink and a ring in die-cast aluminum, to which can be fixed three different trim rings, one metal ring with different finishes, one glass ring in different colors, and an opal polycarbonate screen to reach the IP54 degree protection.

Twister is an innovative lighting system made of an aluminium recessed support frame composed by a parabolic reflector, an heat sink and a ring in die-cast aluminum, to which can be fixed three different trim rings, one metal ring with different finishes, one glass ring in different colors, and an opal polycarbonate screen to reach the IP54 degree protection.