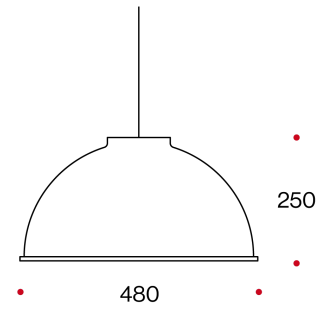
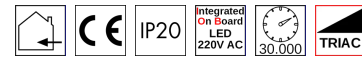




SATURNO LED

1,5 - 1,7 KG POWER SUPPLY
220/240V-50/60Hz

Suspension lamp with body-diffuser in painted aluminium.
Aluminium reflector. Satin ICE protective screen.
Complete with wire length 1.5 m.
LED module with heat sink system included

Suspension lamp with body-diffuser in painted aluminium.
Aluminium reflector. Satin ICE protective screen.
Complete with wire length 1.5 m.
LED module with heat sink system included

CODE	LUMEN NOM					
	LED	W	3000°K	4000°K	HOLE DIMENSIONI	DIMENSIONS A-B mm
33027 	E27 LED				480X250	480X250
33040 	IOB50	40	5420	5600	480X250	480X250

■ COLOR CODE

- 10 - frosted alu
- 21 - green apple
- 32 -
- 33 - frosted black
- 34 - tangerine

• LED COLOR CODE

- 3000°K- 85
- 4000°K- 85

SATURNO LED



Saturno LED is an aluminium painted suspension light. The classic line is simple and it is perfect to fit elegantly in various environments, industrial, shops and private. Designed for LED light source. Its multienvironmental applications combined with high technological contents and a high luminous efficiency with low power consumption, makes SATURNO LED a perfect item for multi purpose uses.

Saturno LED is an aluminium painted suspension light. The classic line is simple and it is perfect to fit elegantly in various environments, industrial, shops and private. Designed for LED light source. Its multienvironmental applications combined with high technological contents and a high luminous efficiency with low power consumption, makes SATURNO LED a perfect item for multi purpose uses.