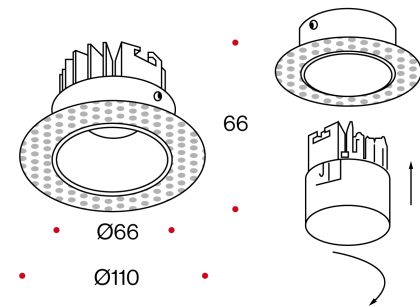


NUVOLA



300 GR



Corpo in alluminio pressofuso verniciato, Sorgente luminosa led, lente fascio luminoso 24°,36°,60°, dissipatore in alluminio anodizzato driver di alimentazione separato incluso

Painted die-cast aluminium body. LED light source. Lens light beam 24° - 36° - 60°. Anodized aluminium heat sink. Separate power supply included.

CODE	LUMEN NOM			HOLE DIMENSIONI	HOLE DIAM.	DIMENSIONS A-B mm
	LED	W	3000°K 4000°K			
2310 *	SDCM 10	900	1000	66X66	66	66X66

■ COLOR CODE

- 32** - frosted white
- 33** - frosted black

• LED COLOR CODE

- 3000°K**- 85
- 4000°K**- 85

* REFLECTOR CODE

- 24°**- lens beam angle
- 36°**- lens beam angle
- 60°**- lens beam angle